

ASP SERIES STANDING NETWORK RACK

27U, 32U, 42U and 47U Sizes

Stecmax Network Rack providing cooling, power distribution, cable management, and environmental monitoring for application in IT environment.

- *Most popular model in the market.*
- *Optional doors are available.*
- *1/3 assembled original volume when knock down.*
- *Enough cabling space inside 800mm wide rack.*
- *Static loading capacity up to 800kg.*

Stecmax's ASP series network rack specially designed for network servers of high density in IT environment. With accessories of bracket, cable manager, PDU fixing slot, high quality locks, supply safe place for important IT equipment.



■ Highlights

Optional doors

The front door is made of toughened glass or vented holes, which is at your choice.



Easy Transportation

ASP series network cabinet can be shipped in knock-down or flat-packed method whose packing dimension can be reduced by 2/3.

More Space for Cable Management

Vertical installation metal management in 800mm wide rack provide more space for network cable management.

Various Sizes

The width from 600mm to 800mm, the height from 18U to 47U, the depth of 600mm, 800mm, 1000mm, the rich choice of models can meet all your requirement in data center.

■ Application

- Support patch panels and fiber enclosures or a mix of patch panels, fiber enclosures and switches when cabinets are deployed in data centers or other network facilities.

■ Features

A. Adjustable Mounting Rails



Front and rear sets of vertical rails adjust in quarter-inch increments. Adjustment is quick and convenient can slide them to the required depth and refasten.

D. Advanced Lock



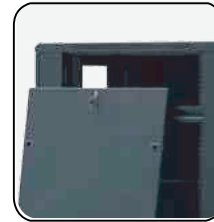
The security highly ensured by advanced lock.

B. Optional Fan Tray on the Top Cover



Optional Fan tray (2 fans for 600mm, 4 fans for 800mm or 1000mm deep rack) allow air flow in the cabinet.

E. Removable Side Panels



Lockable side panels ease maintain and removable

C. Easy structure for assembly



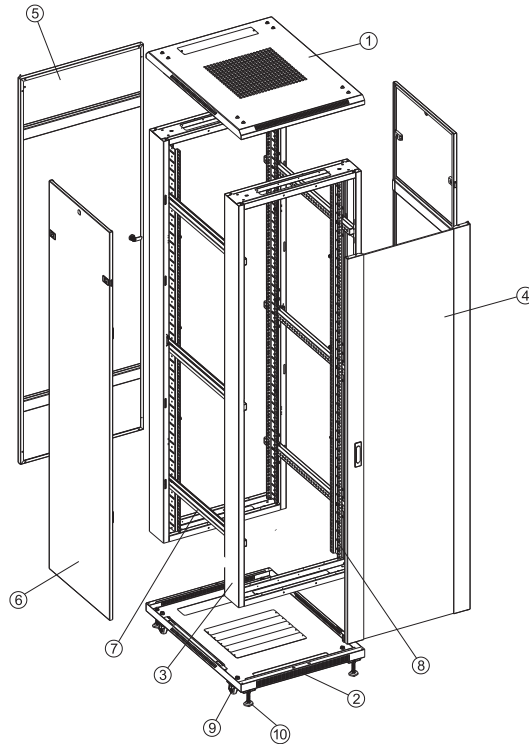
Easy structure for assembly will shorten your work period.

F. Adjustable Levelling Feet and Casters (2 with brake)



Adjustable levelling feet and casters (with brake) are available simultaneously.

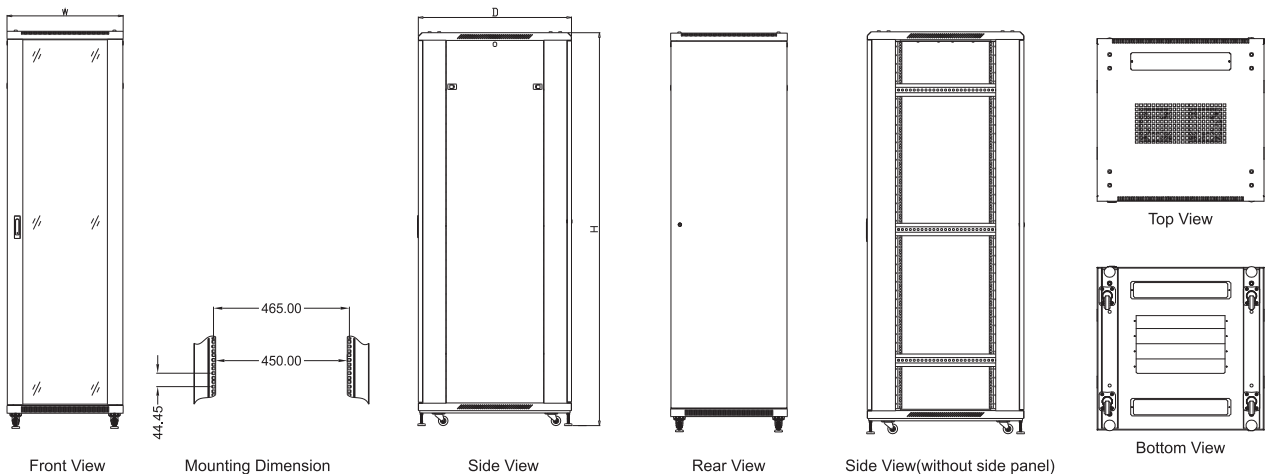
■ Components of ASP(600mm Width) Series Standing Network Rack



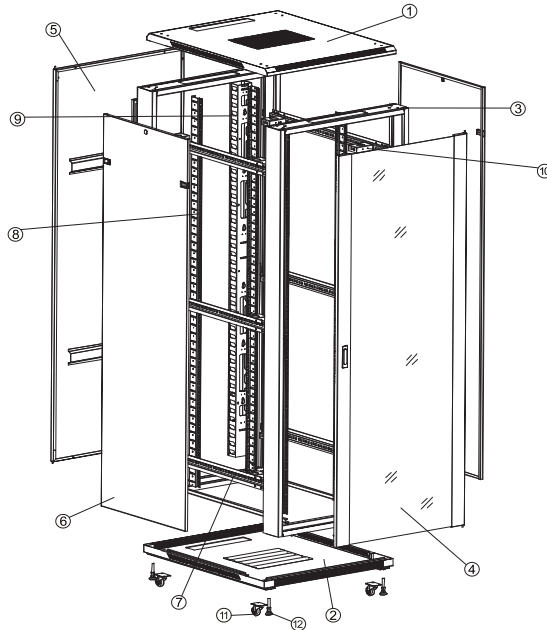
S/N	Name	Quantity
1	Top cover	1
2	Bottom panel	1
3	Door frame	2
4	Front door	1
5	Rear door	1
6	Side panel	2
7	Horizontal beam	6
8	Vertical rail	4
9	Caster(2 with brake)	4
10	Levelling feet	4

Note: ≤32U with 4 horizontal beam.

■ Main Dimension (600mm Width)



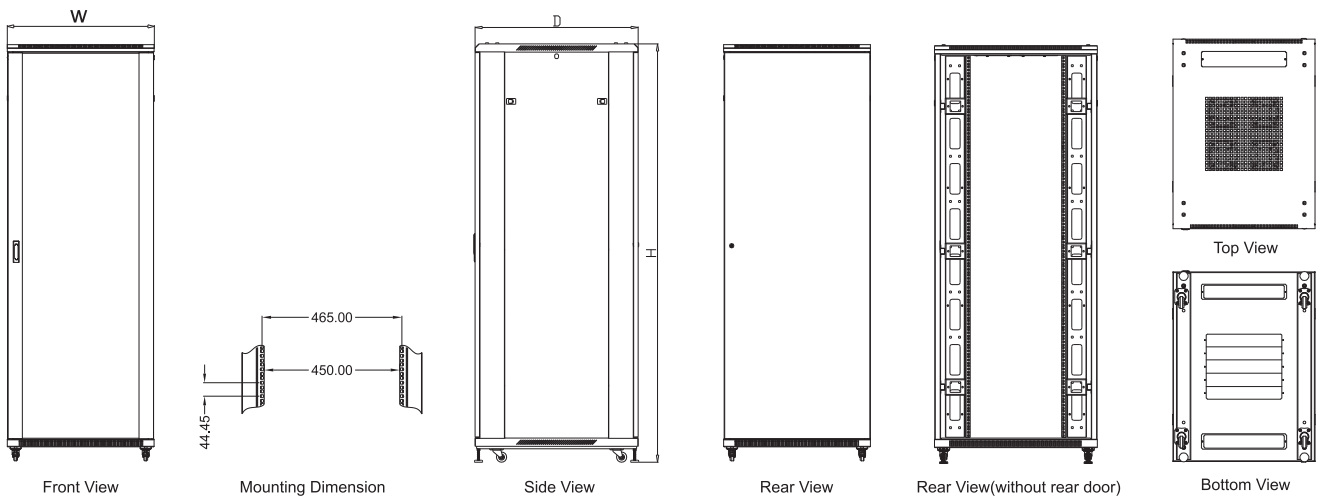
Components of ASP(800mm Width) Series Standing Network Rack



S/N	Name	Quantity
1	Top cover	1
2	Bottom plate	1
3	Door frame	2
4	Front door	1
5	Rear door	1
6	Side panel	2
7	Horizontal beam	6
8	Vertical rail	4
9	Cable management rail	2
10	Connecting box	12
11	Caster(2 with brake)	4
12	Levelling feet	4

Note: 1. ≤32U with 4 horizontal beam.
2. >32U with 8 connecting box.

Main Dimension (800mm Width)



■ Specifications

Model	Capacity (U)	Dimension		BU Packing Dimension		KD Packing Dimension				
		W*D*H(mm)	W*D*H(mm)	Volume (CBM)	Carton A		Carton B		Carton C	Volume (CBM)
					W*D*H(mm)	W*D*H(mm)	W*D*H(mm)	W*D*H(mm)		
SX-ASP6618	18	600*600*988	615*615*998	0.377	615*615*130	615*920*315	/	0.227		
SX-ASP6622	22	600*600*1166	615*615*1176	0.445	615*615*130	615*1095*315	/	0.261		
SX-ASP6822	22	600*800*1166	615*815*1176	0.589	615*815*130	615*1095*315	/	0.277		
SX-ASP6627	27	600*600*1388	615*615*1398	0.529	615*615*130	615*1320*315	/	0.305		
SX-ASP6827	27	600*800*1388	615*815*1398	0.701	615*815*130	615*1320*315	/	0.321		
SX-ASP6632	32	600*600*1610	615*615*1620	0.613	615*615*130	640*1465*90	610*1535*270	0.386		
SX-ASP6832	32	600*800*1610	615*815*1620	0.812	615*815*130	615*1465*105	610*1535*270	0.413		
SX-ASP6637	37	600*600*1833	615*615*1843	0.697	615*615*130	640*1690*90	610*1760*270	0.436		
SX-ASP6837	37	600*800*1833	615*815*1843	0.924	615*815*130	615*1690*105	610*1760*270	0.464		
SX-ASP8837	37	800*800*1833	815*815*1843	1.224	815*815*130	815*1690*105	810*1760*270	0.616		
SX-ASP6137	37	600*1000*1833	615*1015*1843	1.150	615*1015*130	730*1690*105	610*1760*270	0.501		
SX-ASP6642	42	600*600*2055	615*615*2065	0.781	615*615*130	640*1910*90	610*1980*270	0.485		
SX-ASP6842	42	600*800*2055	615*815*2065	1.035	615*815*130	615*1910*105	610*1980*270	0.514		
SX-ASP8842	42	800*800*2055	815*815*2065	1.372	815*815*130	815*1910*105	810*1980*270	0.682		
SX-ASP8142	42	800*1000*2055	815*1015*2065	1.78	815*1015*130	815*1910*105	810*1980*270	0.704		
SX-ASP6142	42	600*1000*2055	615*1015*2065	1.289	615*1015*130	730*1910*105	610*1980*270	0.553		
SX-ASP6647	47	600*600*2277	615*615*2287	0.865	615*615*130	640*2135*90	610*2200*270	0.534		
SX-ASP6847	47	600*800*2277	615*815*2287	1.146	615*815*130	615*2135*105	610*2200*270	0.565		
SX-ASP8847	47	800*800*2277	815*815*2287	1.519	815*815*130	815*2135*105	810*2200*270	0.750		
SX-ASP6147	47	600*1000*2277	615*1015*2287	1.428	615*1015*130	730*2135*105	610*2200*270	0.670		
SX-ASP8147	47	800*1000*2277	815*1015*2287	1.892	815*1015*130	815*2135*105	810*2200*270	0.772		


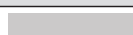
Note:

1. Different kinds of doors are optional.
2. Ornament strip is optional.
3. Package: Build-up(BU) or Knock-down (KD).
4. Hardware: ≤27U: 20 sets cage nuts
>27U, ≤37U: 30 sets cage nuts
>37U, ≤47U : 40 sets cage nuts

Optional Accessories:

1. Fixed Shelf
2. Sliding Shelf
3. Cable Management
4. Cooling Solution
5. Air Flow Management
6. PDU

Color:

RAL9005	RAL7035
	

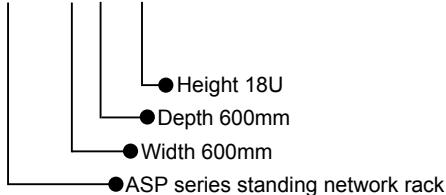
Material:

SPCC Cold Rolled Steel.

■ How to Define Our Model

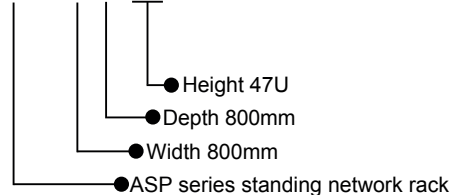
SX- ASP6618

SX- A S P 6 6 18



SX- ASP8847

SX- A S P 8 8 47



■ Optional Doors



A. Tempered glass door, with vented strips.
Lock: Spring Lock



B. Tempered glass door, with vented holes
Lock: Spring Lock



C. Tempered glass door
Lock: Advanced Lock



D. Solid iron door
Lock: Small Round Lock



E. Arc and curved door
Lock: Spring Lock



F. Hexagonal vented curved door
Lock: Spring Lock

Network Rack



G. Round vented arc door
Lock: Spring Lock



H. Round vented door
Lock: Small round Lock



I. Round vented door
Lock: Advanced Lock



J. Hexagonal vented door
Lock: Moon Light Lock

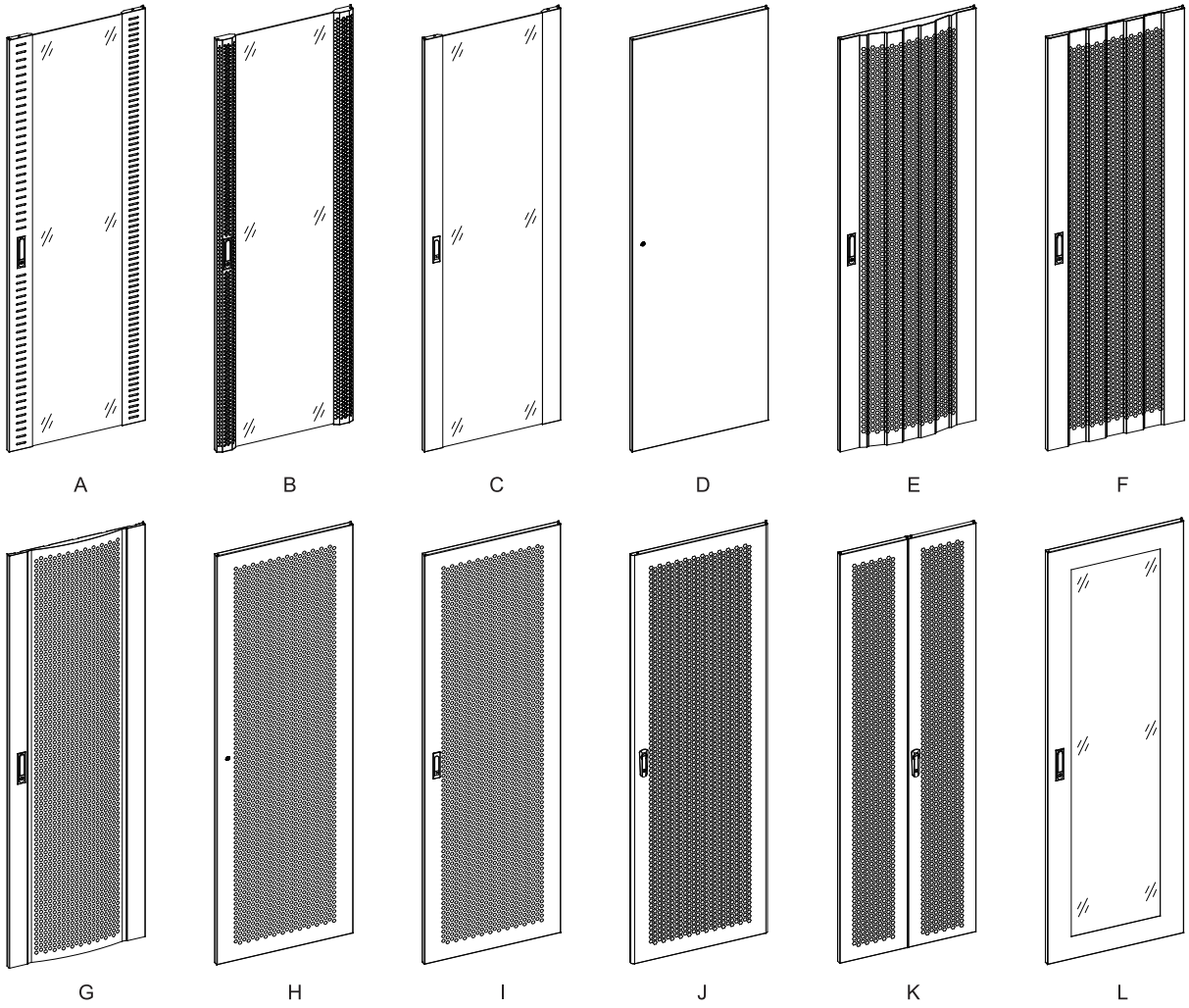


K. Split vented rear door
Lock: Moon Light Lock

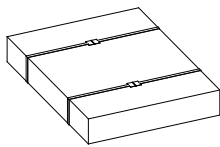


L. Tempered glass door
Lock: Advanced Lock

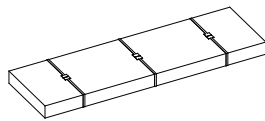
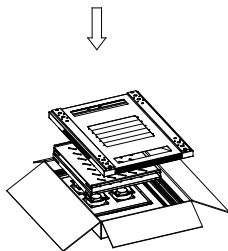
Optional Doors-Structure Drawing



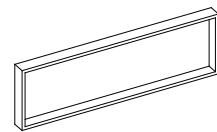
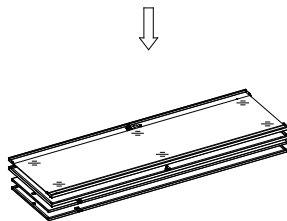
Knock-down Packaging :



Carton A: Top cover, Bottom panel, Horizontal beam, Accessory box.



Carton B :Front door, Rear door, Side panel.



Carton C: Frame, Vertical rail.

